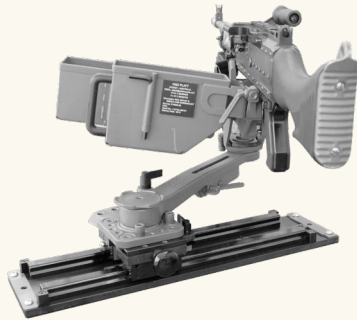


RAIL MOUNT

KEY FEATURES

- Instantly adjustable for left or right-handed gunners.
- Travel lock and separate cans for 5.56-7.62mm ammunition.
- Cost-effective, lightweight and modular design for multiple arcs of fire.
- Versatile weapon cradle and flexible front weapon mount.
- Low maintenance, easy integration and installation.



Multiple lock positions along the slide axis pivot point arm.

TECHNICAL SPECIFICATIONS

Weapons Compatibility:	MAG58/M240 7.62mm GPMG; Minimi/M249 5.56mm LMG, MG3, MG4, MG5, MK48 Minimi, PKM.
Ammunition Tray Capacity:	7.62mm / 5.56mm - 200 rounds.
Elevation:	+60°
Depression:	-10° Stop/ -30° Override
Weapon Traverse:	360° (adjustable at increments).
Stainless Steel Mass:	25.6kg (excluding weapon).
Part Number:	P10598-50

*CUSTOMER CUSTOMISATIONS UPON REQUEST

IN SERVICE WITH AUSTRALIAN ARMY G-WAGON SRVs